

Manual Supplement

Manual Title:	2640A/2645A NetDAQ Users	Supplement Issue:	1
Part Number:	942623	Issue Date:	8/05
Print Date:	May 1994	Page Count:	1
Revision/Date:	2, 11/96		

This supplement contains information necessary to ensure the accuracy of the above manual.

Change #1

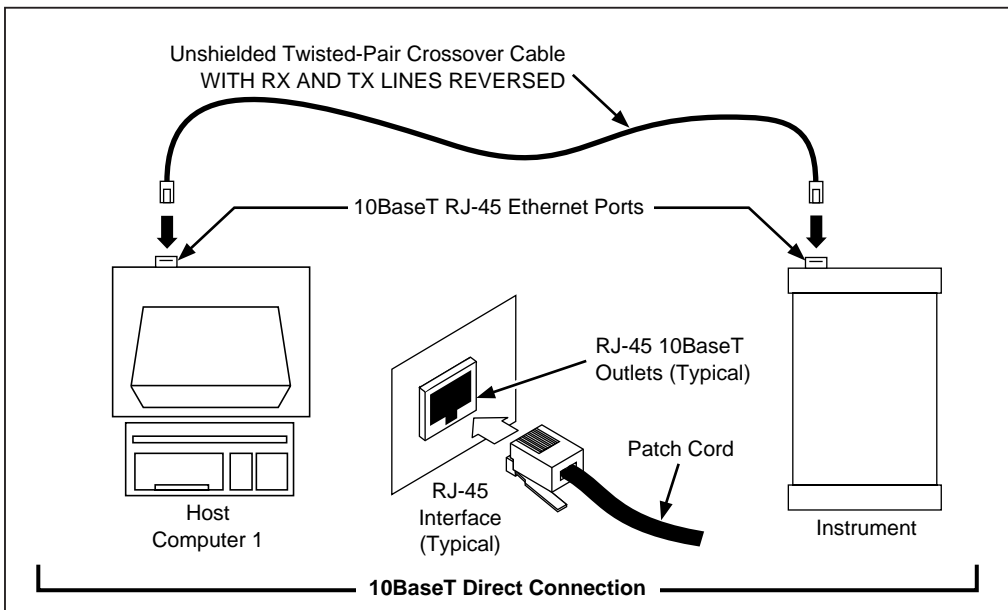
Note

The 10Base2 Ethernet port has been eliminated on the 2640A and 2645A. Any reference to the 10Base2 or coaxial network connections should be disregarded.

On page 6-6, under **Configuring the Performance Test Setup** replace step 1 with the following:

1. **Connect the Instrument and Host Computer** Make the network connections to the instrument and the host computer using a suitable RJ45 UTP Crossover cable as shown in Figure 6-2.

On page 6-8, replace Figure 6-2 with the following:



DS600F.eps

Figure 6-2. Performance Test Setup